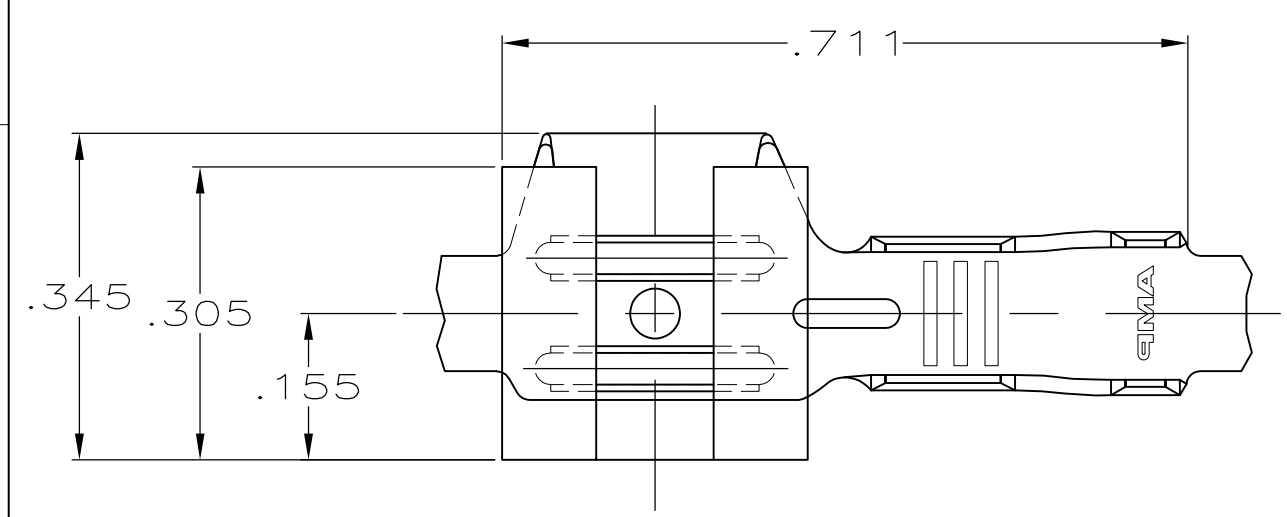
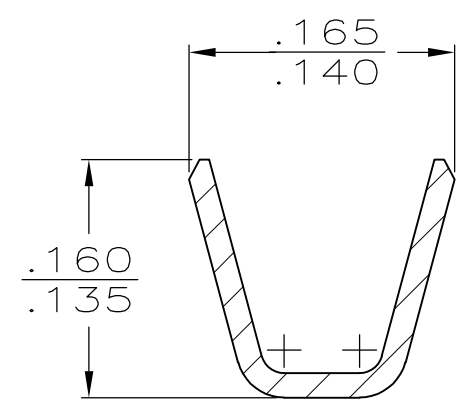
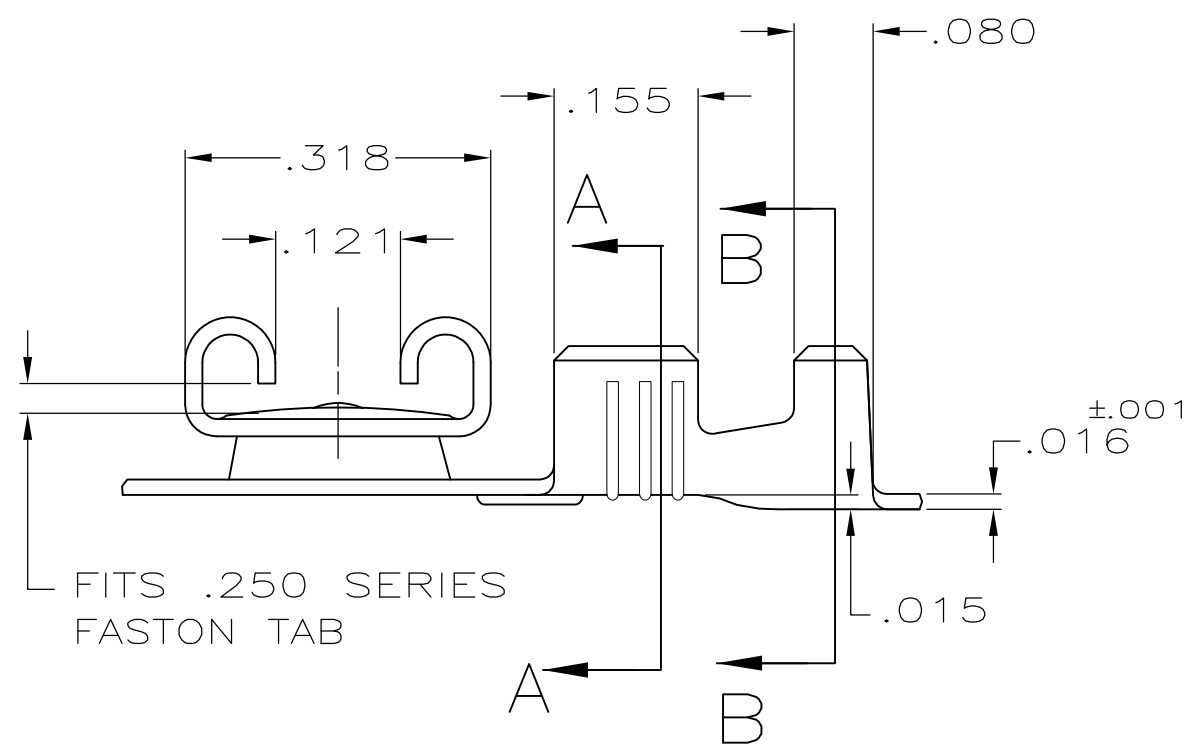


THIS DRAWING IS UNPUBLISHED. RELEASED FOR PUBLICATION
 © COPYRIGHT - By - ALL RIGHTS RESERVED.

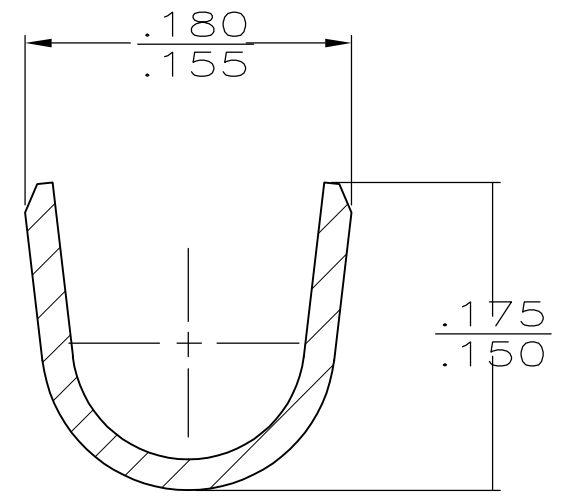
| LOC | DIST | REVISIONS | | | |
|-----|------|-------------|---------------------------|-----------|-------|
| P | LTR | DESCRIPTION | DATE | DWN | APVD |
| AF | 50 | H | REVISED PER ECR-12-013459 | 28NOV2012 | KH PD |



1 CONTINUOUS STRIP ON REELS.




SECTION A-A
SCALE 8:1



SECTION B-B
SCALE 10:1

| | | | | |
|--------|-------------|-----------|----------------------|---------|
| TIN | .090.-130 | 18-14 | .032 | 62048-2 |
| - | .090.-130 | 18-14 | .032 | 62048-1 |
| FINISH | INSUL RANGE | WIRE SIZE | MATING TAB THK ±.001 | PART NO |

| | | | | | | | | | |
|--|--|----------------------------|---|------------|--------------------|-----------------------|--------------|-----------------|----------|
| THIS DRAWING IS A CONTROLLED DOCUMENT. | | DWN JR RUTH 6/7/91 |  TE Connectivity RECEPTACLE, FASTON™, FLAG, REVERSIBLE, .250 SERIES | | | | | | |
| DIMENSIONS: INCHES | | CHK MS FEHER 6/7/91 | | | | NAME | | | |
| TOLERANCES UNLESS OTHERWISE SPECIFIED: | | APVD C MEYERS 6/7/91 | | | | PRODUCT SPEC | | | |
| 0 PLC ± - 1 PLC ± - 2 PLC ± - 3 PLC ± .015 4 PLC ± - ANGLES ± - | | APPLICATION SPEC | | | | RESTRICTED TO | | | |
| MATERIAL BRASS | | FINISH SEE TABLE | 114-2032 | SIZE A3 | CAGE CODE 00779 | DRAWING NO C-62048 | SCALE 5:1 | SHEET 1 OF 1 | REV H |
| CUSTOMER DRAWING | | | SCALE 5:1 | | SHEET 1 OF 1 | | REV H | | |